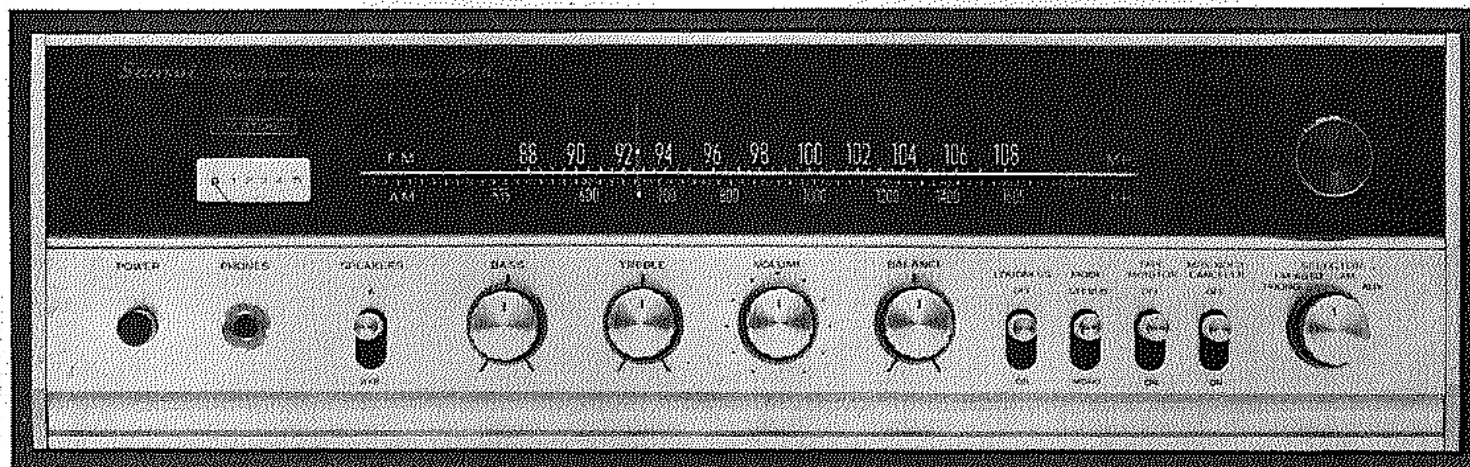


SERVICE MANUAL

SOLID-STATE AM/FM STEREO TUNER AMPLIFIER

SANSUI 350A

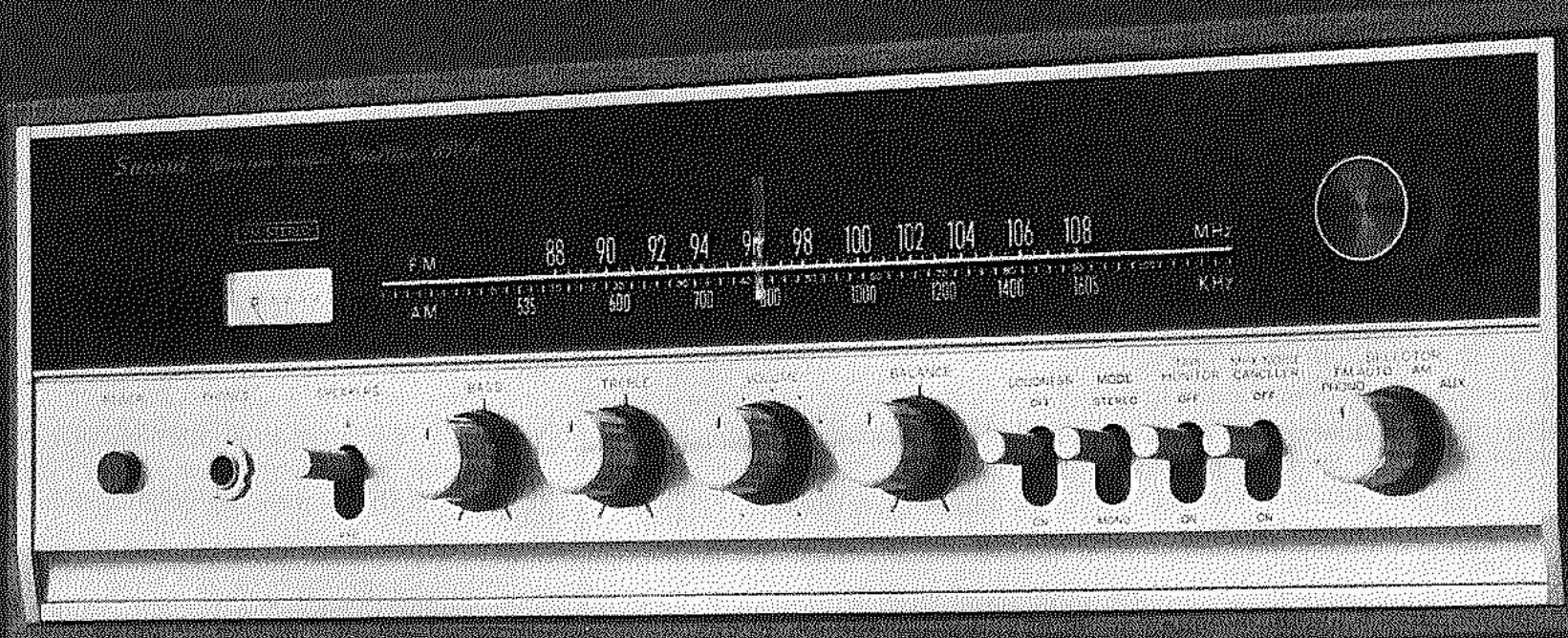


Sansui

SANSUI ELECTRIC CO., LTD.

CONTENTS

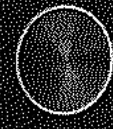
GENERAL TROUBLESHOOTING CHART	3, 4
DISASSEMBLY PROCEDURE.....	5
BLOCK DIAGRAM	6
ALIGNMENT.....	7, 8, 9, 10
SCHEMATIC DIAGRAM	11, 12
PRINTED CIRCUIT BOARDS AND PARTS LIST	
.....	13, 14, 15, 16, 17, 18, 19, 20, 21
OTHER PARTS AND THEIR POSITION ON CHASSIS	
.....	21, 22



Stam Electronics Model 101A

STEREO

F.M. 88 90 92 94 96 98 100 102 104 106 108 MHz
A.M. 535 600 700 800 900 1000 1200 1400 1605 KHz



VOLUME

TUNER

PRESET

BASS

TREBLE

BALANCE

MONITOR CANCELER

MODE

STEREO

AUTO AM

AM



GENERAL TROUBLESHOOTING CHART

If the amplifier is otherwise operating satisfactorily the more common causes of trouble may generally be attributed to the following:

1. Incorrect connections or loose terminal contacts. Check the speakers, record player, tape deck, antenna and line cord.
2. Improper operation. Before operating any audio component, be sure to read the manufacturer's

instructions.

3. Improper location of audio components. The proper positioning of components, such as speakers and turntable, is vital to stereo.
4. Defective audio components.

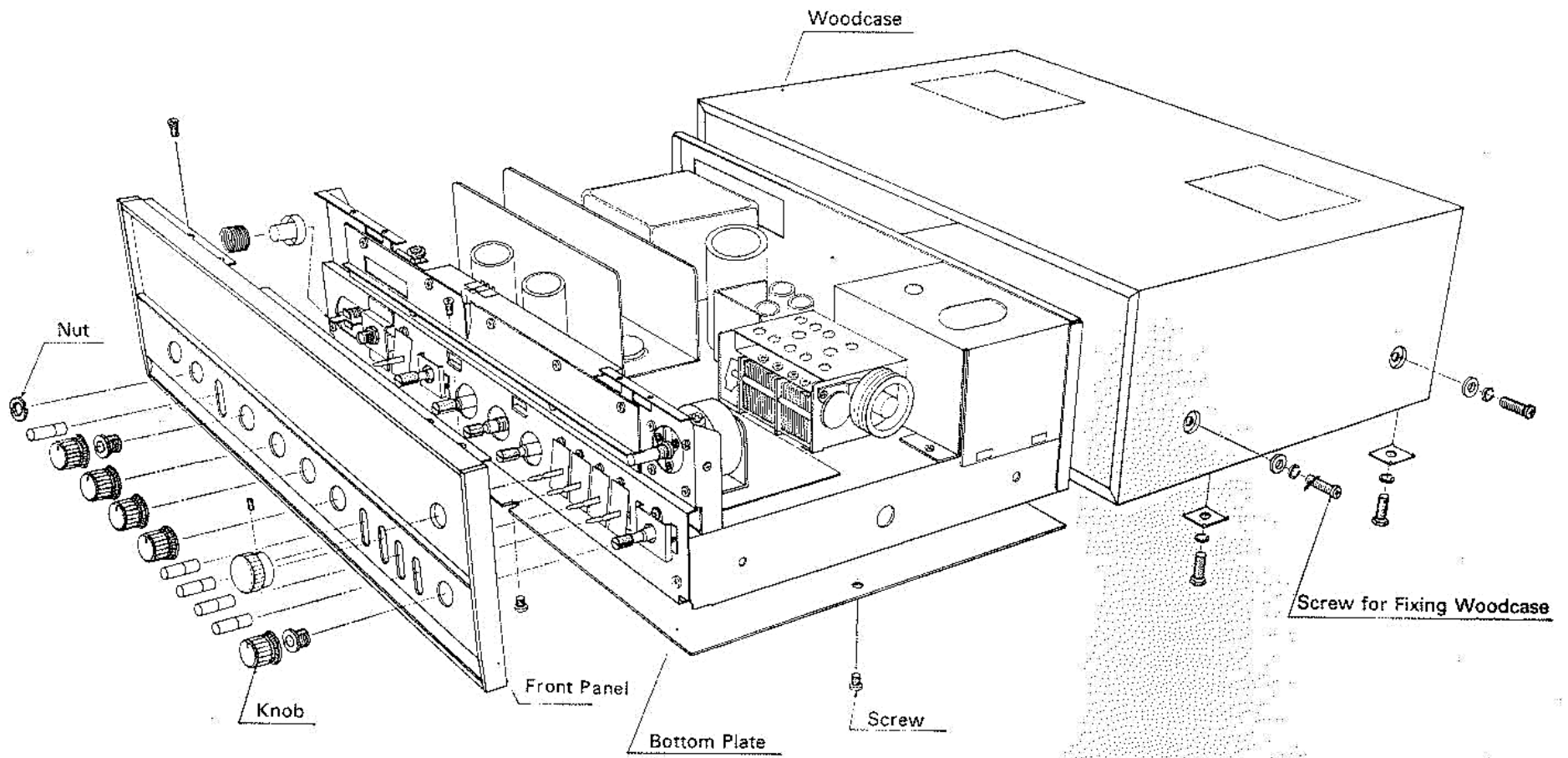
Following are some other common causes of malfunction and what to do about them.

PROGRAM	SYMPTOM	PROBABLE CAUSE	WHAT TO DO
AM, FM or MPX reception	a. Constant or intermittent noise heard at certain times or in a certain area.	<ul style="list-style-type: none"> * Discharge or oscillation caused by electrical appliances, such as fluorescent lamps, TV sets, D.C. motors, rectifier and oscillator * Natural phenomena, such as atmospherics, static, and thunderbolt. * Insufficient antenna input due to reinforced concrete walls or long distance from the station * Wave interference from other electrical appliances 	<ul style="list-style-type: none"> * Attach a noise limiter to the electrical appliance that causes the noise, or attach it to the power source of the amplifier. * Install an outdoor antenna and ground the amplifier to raise the signal-to-noise ratio. * Reverse the power cord plug-receptacle connections. * If the noise occurs at a certain frequency, attach a wave trap to the ANT. input. * Place the set away from other electrical appliances.
	b. Needle of the tuning meter does not move sharply.	<ul style="list-style-type: none"> * Needle movement is not necessarily related to the sensitivity of the amplifier. 	<ul style="list-style-type: none"> * Tune the set for maximum signal strength.
	c. Zero point of the meter moves greatly.	<ul style="list-style-type: none"> * Regional difference in field intensity. 	<ul style="list-style-type: none"> * The unit is not at fault.
AM reception	a. Noise heard at a particular time of day, in a certain area or over part of the dial.	<ul style="list-style-type: none"> * Natural phenomenon. 	<ul style="list-style-type: none"> * Install an antenna for maximum antenna efficiency. See "ANTENNA" in the Operating Instructions. * In some cases, the noise can be eliminated by grounding the amplifier or reversing the power cord plug-receptacle connections.
	b. High-frequency noise	<ul style="list-style-type: none"> * Adjacent-channel interference or beat interference * TV set is too close to the audio system 	<ul style="list-style-type: none"> * Although such noise cannot be eliminated by the amplifier, it is advisable to turn the TREBLE control from midpoint to left. * Place the TV set away from the audio system.
FM reception	a. Noisy	<ul style="list-style-type: none"> * Poor noise limiter effect or too low SN ratio due to insufficient antenna input. 	<ul style="list-style-type: none"> * Adjust the antenna (supplied) for maximum signal strength. * If this is not effective, use an outdoor antenna designed exclusively for FM. When you use a TV antenna for both TV and FM with a splitter make sure TV reception is not affected. * An excessively long antenna may cause noise.
		<p>NOTE: FM reception is affected considerably by the conditions of the transmitting stations: power and antenna efficiency. As a result, you may receive one station quite well while having difficulty receiving another station.</p>	

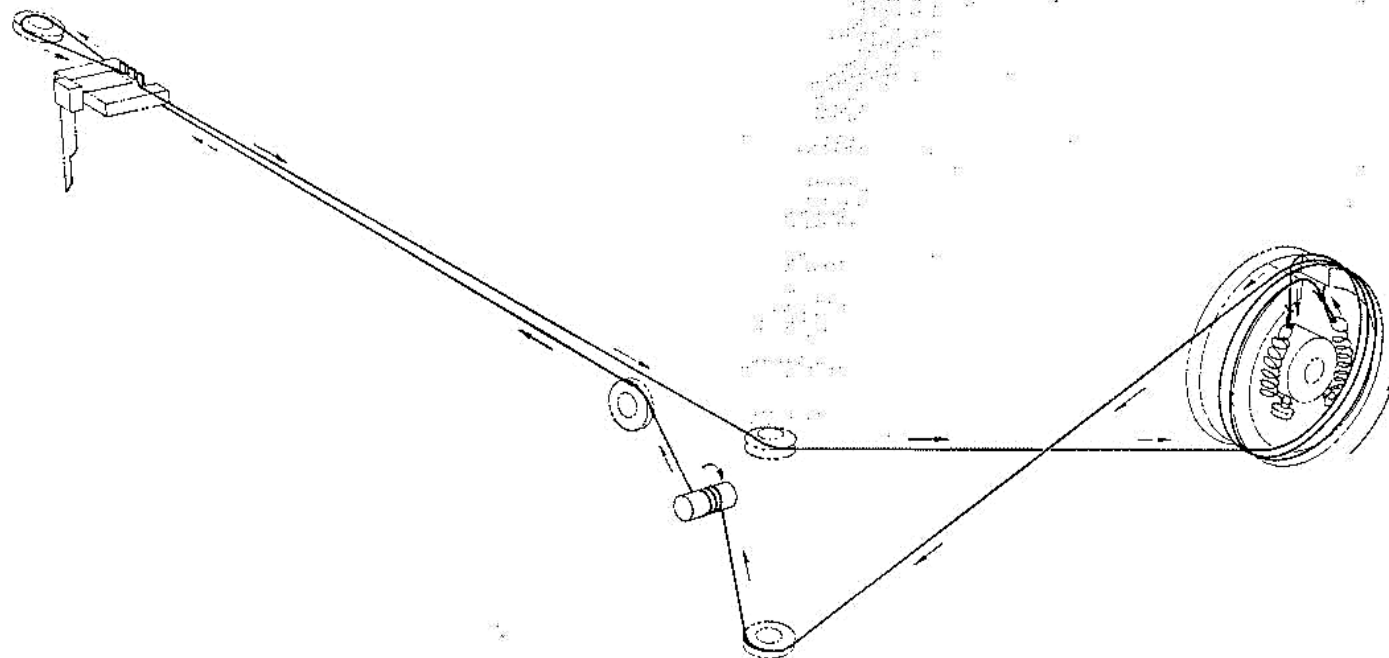
PROGRAM	SYMPTOM	PROBABLE CAUSE	WHAT TO DO
FM reception (Cont'd)	b. A series of pops is heard	* Ignition noise caused by an automobile engine.	* Increase the height of antenna or raise the antenna input as previously described.
	c. Distortion or no sound	* Out of tune due to frequency swing	* Retune the signal.
	d. Tuning noise between stations	* This noise results from the nature of FM reception. As the station signal becomes weak, the noise limiter effect is decreased. The amplification of the limiter, in turn, is enlarged and a noise is generated.	* Tune the signal at reduced volume.
FM-MPX reception	a. Noise heard during FM-MPX reception while not heard during FM mono reception	* The service area of the FM-MPX broadcast is only half that of the FM mono broadcast.	* Install the antenna for maximum antenna input. * Turn the TREBLE control from midpoint to left.
	b. Channel separation becomes worse during reception.	* Excess heat	* Make sure that air can flow underneath the amplifier.
	c. The stereo indicator comes on and off.	* Interference * Station signal is weak	* The indicator is not at fault. * Adjust VR ₄₀₁
	d. The stereo indicator comes on and off even though a stereo station is not received.	* Interference	* The indicator is not at fault. * Adjust VR ₄₀₁
Record playing or tape playback	a. Hum or howling	* Record player placed directly on the speaker box. * Use of unshielded wire. * Loose terminal contact. * Shielded wire too close to line cord, fluorescent lamp or other electrical appliances. * Nearby amateur radio station or TV transmission antenna.	* Put a cushion between the player and the speaker box or separate them. * The connecting shield wire should be as short as possible. * Turn the BASS control from midpoint to left. * Consult the nearest Radio Regulatory Bureau.
	b. Surface noise	* Worn or old record * Dusty record * Worn pick-up needle * Dusty needle * Improper needle pressure	* Remove dust from record and/or needle. * Replace needle. * Correct needle pressure. * Turn the TREBLE control properly from midpoint to left.
Overall stereo program	The BALANCE control is not at midpoint when equal sound comes from left and right channels	* It is important to adjust the control for equal sound from both channels. It should not always be set to midpoint.	* Set the MODE switch to the MONO position and then set the BALANCE control to the position where equal sound comes from both channels.

DISASSEMBLY PROCEDURE

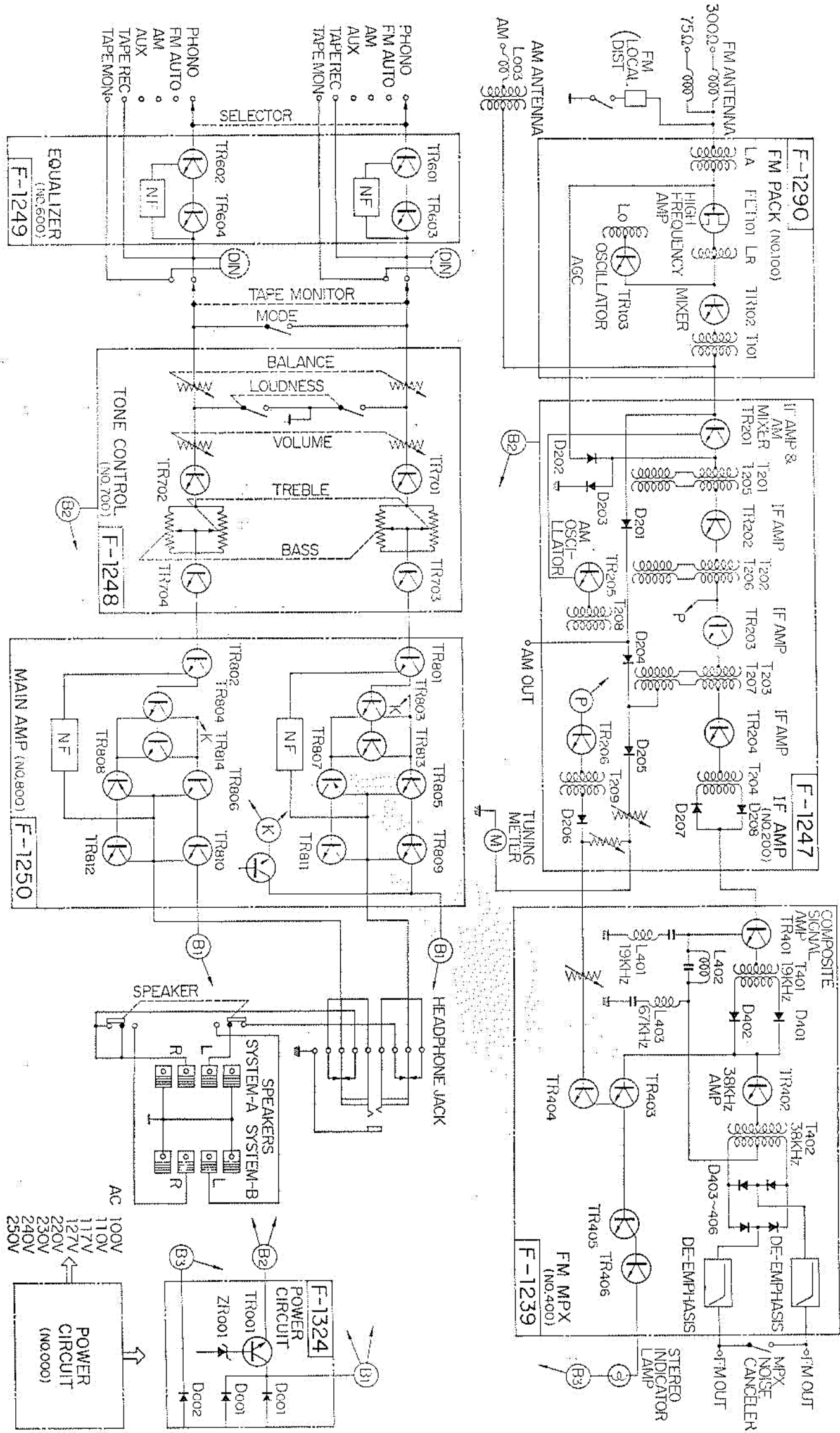
REMOVING THE FRONT PANEL, WOOD CASE AND BOTTOM PLATE



DIAL MECHANISM

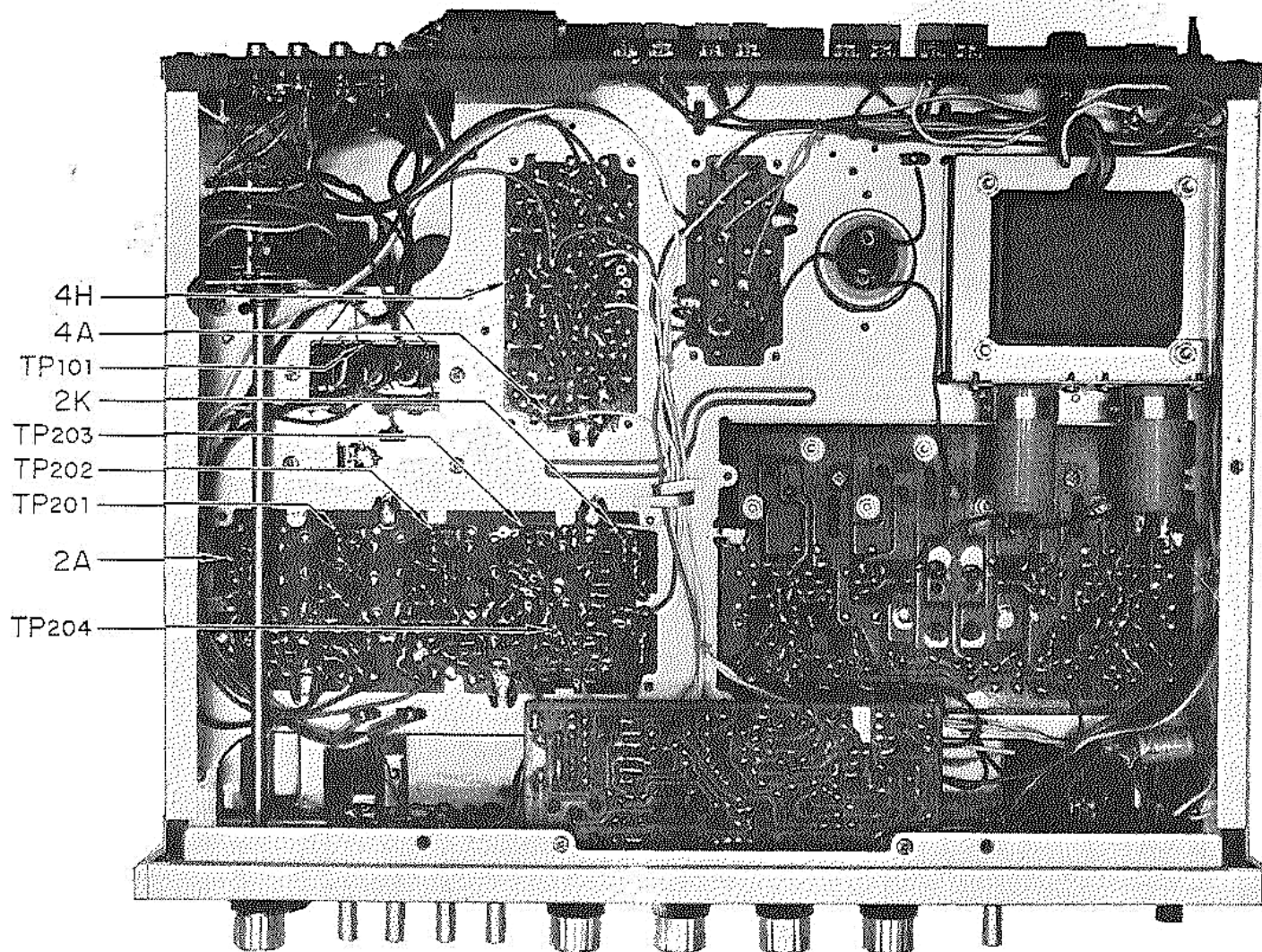
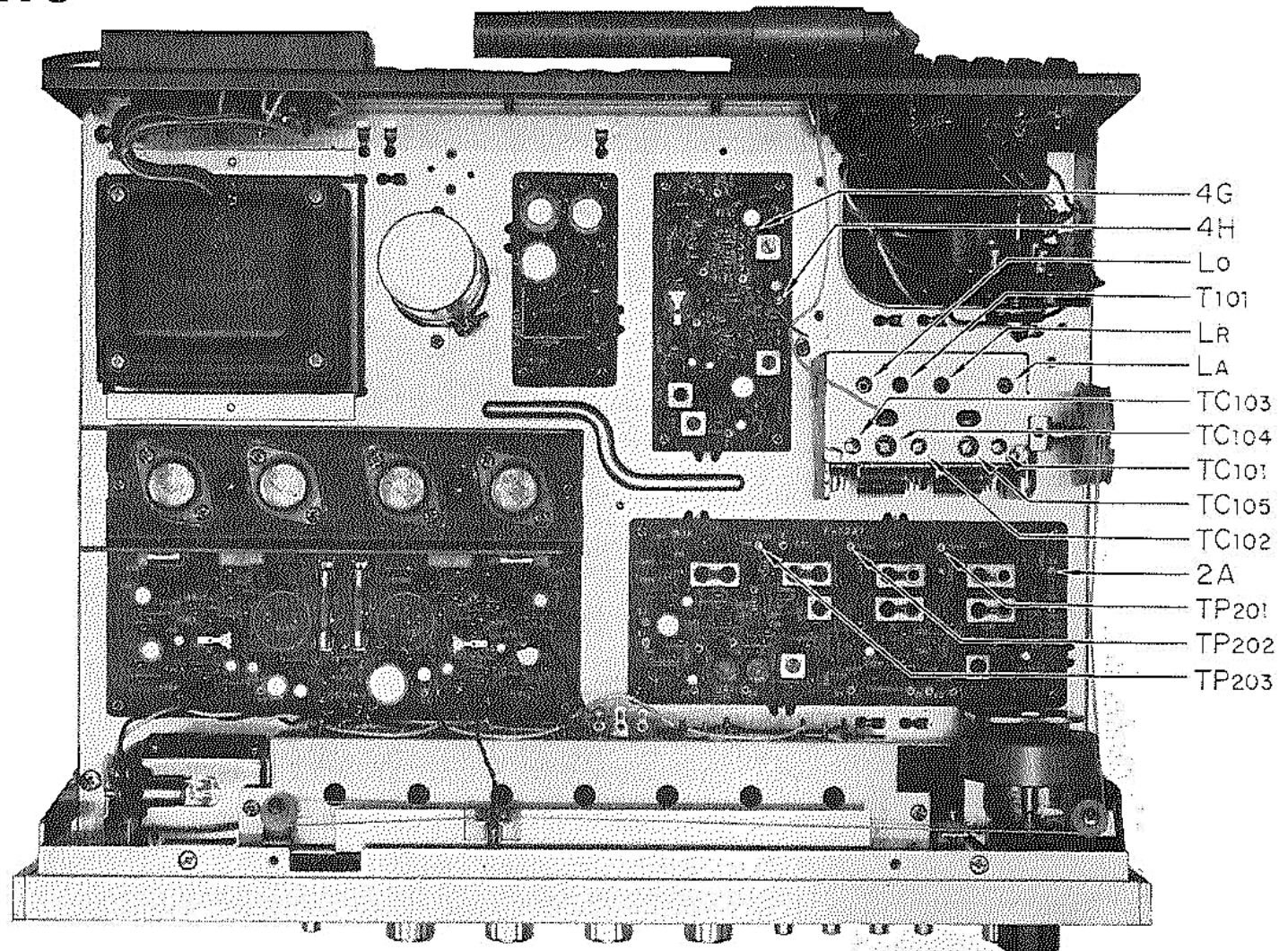


BLOCK DIAGRAM



ALIGNMENT

TEST POINTS

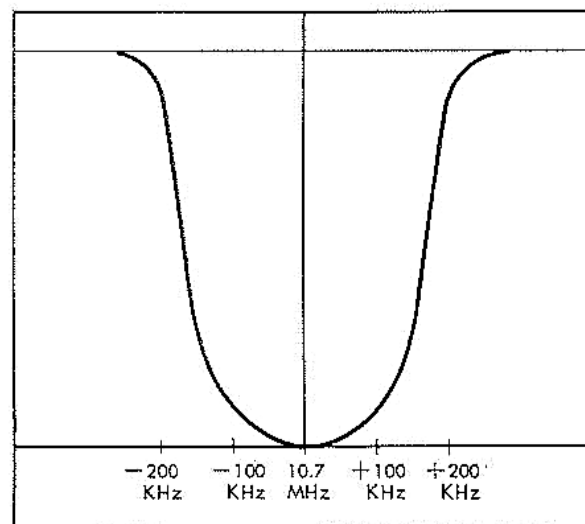


FM ALIGNMENT PROCEDURE

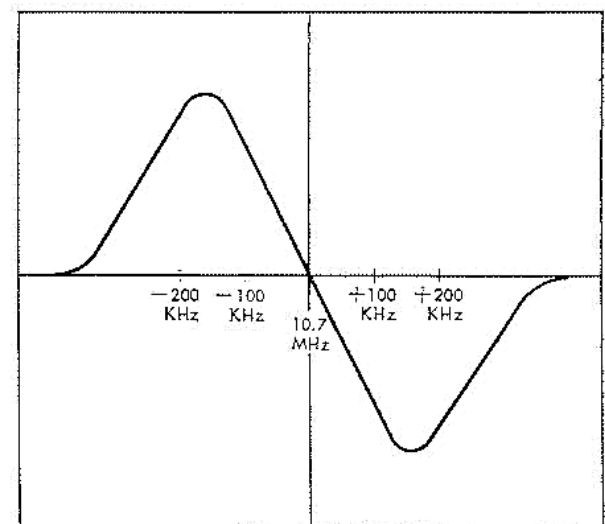
NOTE: To align, set the FM signal generator level to minimum, turn tuning gang fully, center carrier wave, and set pointer to reference mark.

STEP	ALIGN	GENERATOR	FEED SIGNAL	OUTPUT INDICATOR	DIAL SETTING	ADJUST	ADJUST FOR
1.	IF Transformer	10.7 MHz ±200 kHz	Sweep signal is sent to TP ₁₀₁ via the 10pF ceramic capacitor	Oscilloscope is connected to TP ₂₀₁ , TP ₂₀₂ and TP ₂₀₃ via the 0.02μF ceramic capacitor		Primary and secondary sides of T ₂₀₁ , T ₂₀₂ , and T ₂₀₃	Best I.F. wave form
2.	Discriminator	10.7 MHz ±200 kHz	Sweep signal is sent to 2A via the 0.02μF ceramic capacitor	Oscilloscope is connected to 2K via the 0.05μF ceramic capacitor		FM Discriminator T ₂₀₄ primary and secondary	S curve
3.	O.S.C	88 MHz 400 Hz 100% Modulation	To antenna terminals	Oscilloscope and V.T.V.M. at output load	88 MHz	O.S.C. coil L ₀	Maximum
4.	O.S.C	108 MHz 400 Hz 100% Modulation	To antenna terminals	Oscilloscope and V.T.V.M. at output load	108 MHz	O.S.C. trimmer TC ₁₀₃	Maximum
5.	Repeat 3&4						
6.	RF Amp. Circuit	90 MHz 400 Hz 100% Modulation	To antenna terminals	Oscilloscope and V.T.V.M. at output load	90 MHz	Antenna Coil L _A and L _R	Maximum
7.	RF Amp. Circuit	106 MHz 400 Hz 100% Modulation	To antenna terminals	Oscilloscope and V.T.V.M. at output load	106 MHz	Trimmer TC ₁₀₁ and TC ₁₀₂	Maximum
8.	Repeat 6&7						

FM IF CHARACTERISTIC



FM DISCRIMINATOR CHARACTERISTIC



ALIGNMENT

FM MULTIPLEX ALIGNMENT PROCEDURE

1. Do not attempt to align the Multiplex Circuit unless the following equipment is available:

- a. Multiplex Stereo Generator b. Oscilloscope c. AC. V.T.V.M. d. Audio Oscillator e. FM Signal Generator

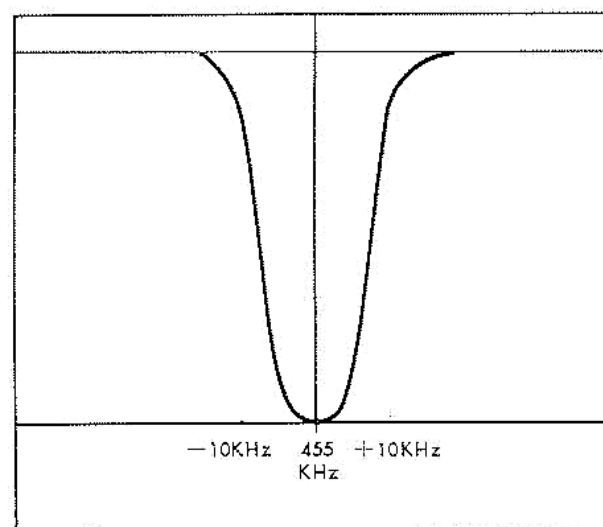
STEP	ALIGN	GENERATOR	FEED SIGNAL	OUTPUT INDICATOR	ADJUST	ADJUST FOR
1.	19 kHz Trap	19 kHz Audio Signal	Connect to 4A	V.T.V.M. at 4G	L ₄₀₁	Minimum
2.	67 kHz Trap	67 kHz Audio Signal	Connect to 4A	V.T.V.M. at 4G	L ₄₀₃	Minimum
3.	19 kHz Transformer	FM Signal Gen. Modulated 30% by STEREO Gen. sub-channel	Antenna terminals Tune to signal	V.T.V.M. and Oscilloscope at 4H	T ₄₀₁	Maximum
4.	38 kHz Transformer	FM Signal Gen. Modulated 30% by STEREO Gen.	Antenna terminals Tune to signal	V.T.V.M. and Oscilloscope at 4H	T ₄₀₂	Maximum
5.	38 kHz Transformer and Separation VR	FM Signal Gen. Modulated 30% by STEREO Signal Gen. channel-L	Antenna terminals Tune to signal	V.T.V.M. and Oscilloscope at output load channel-R	T ₄₀₂ within 1/4 turn and Separation VR (VR ₆₀₁)	Channel-R Minimum

AM ALIGNMENT PROCEDURE

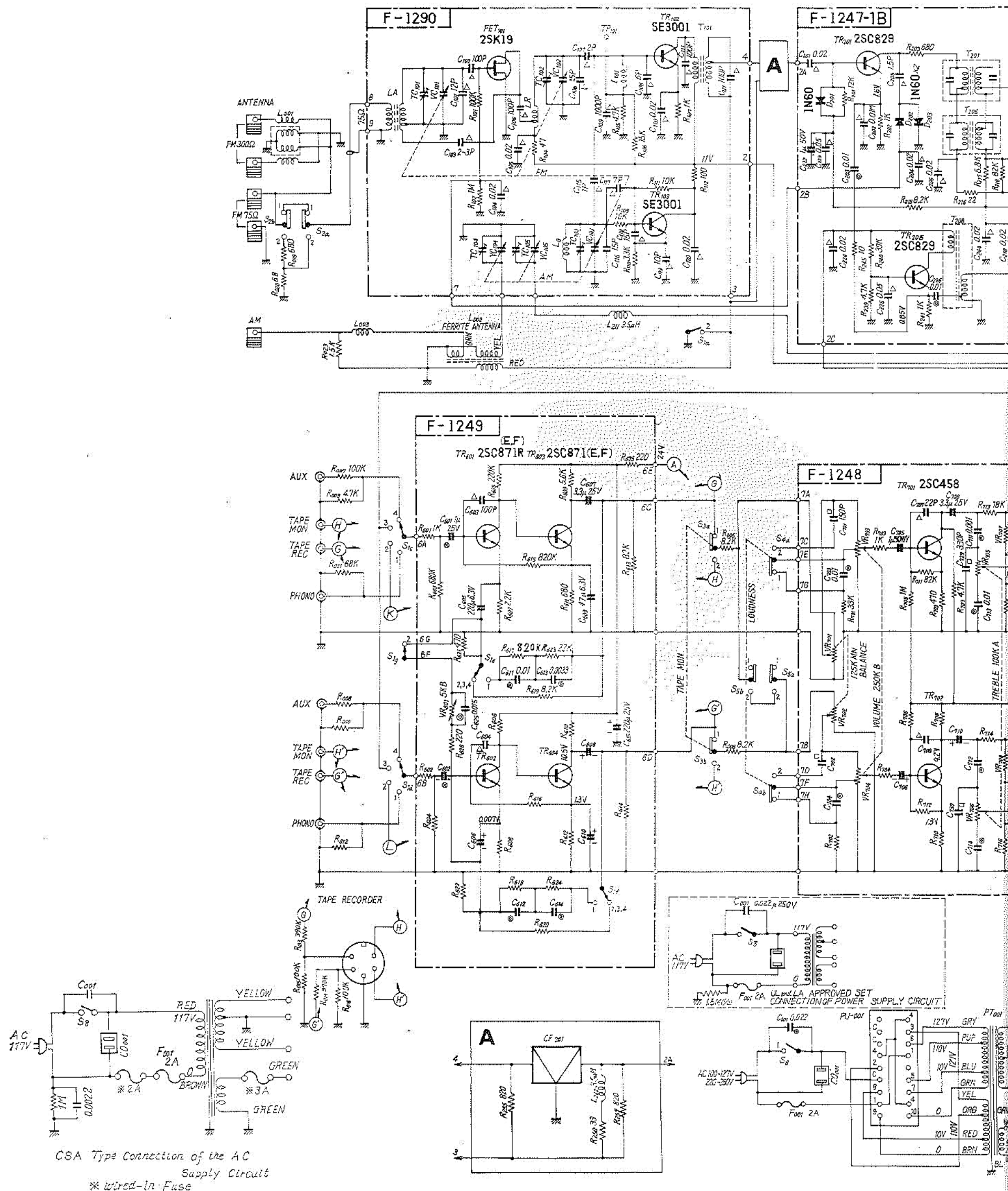
NOTE: To align, set AM signal Generator level to minimum.

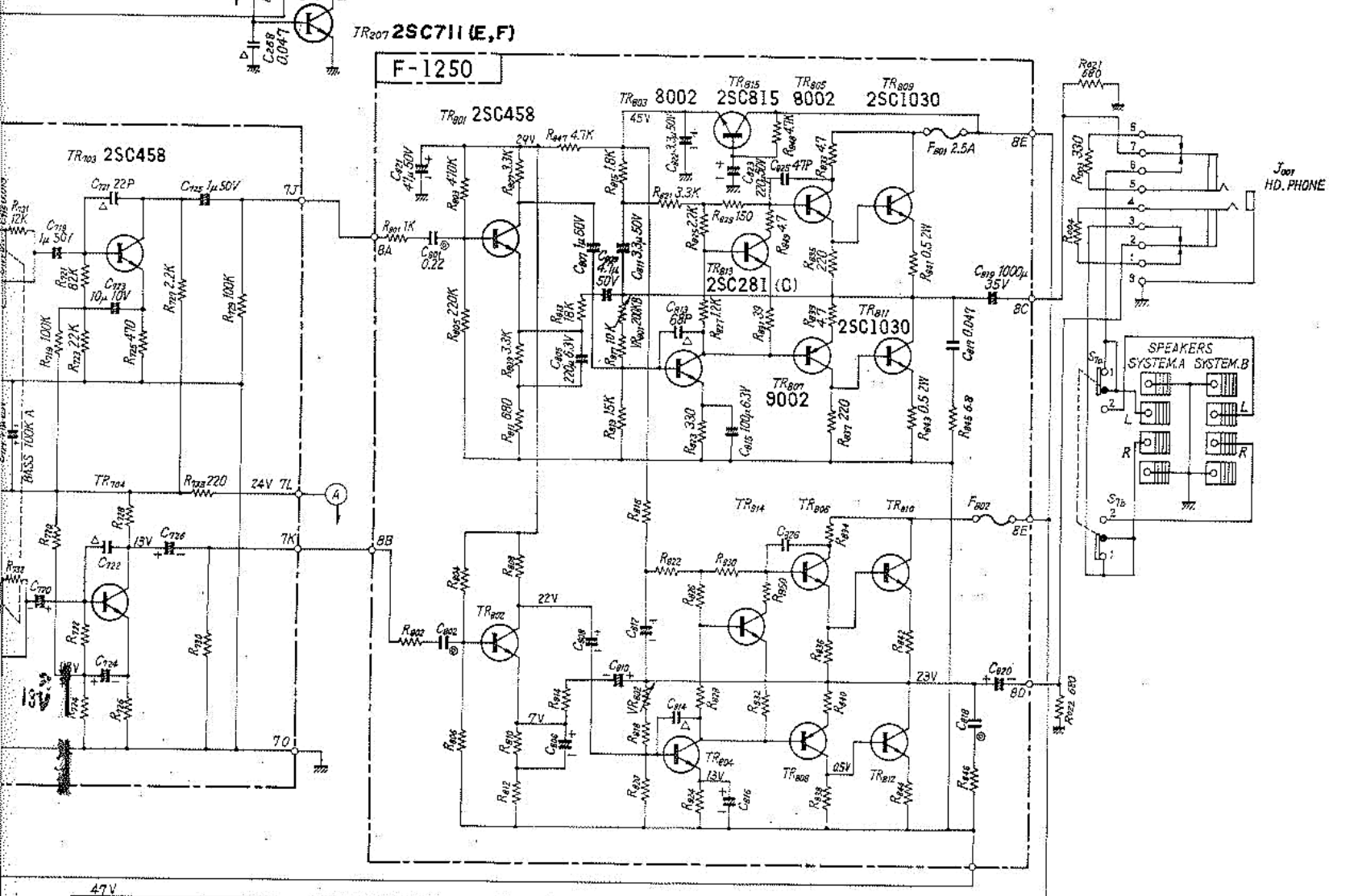
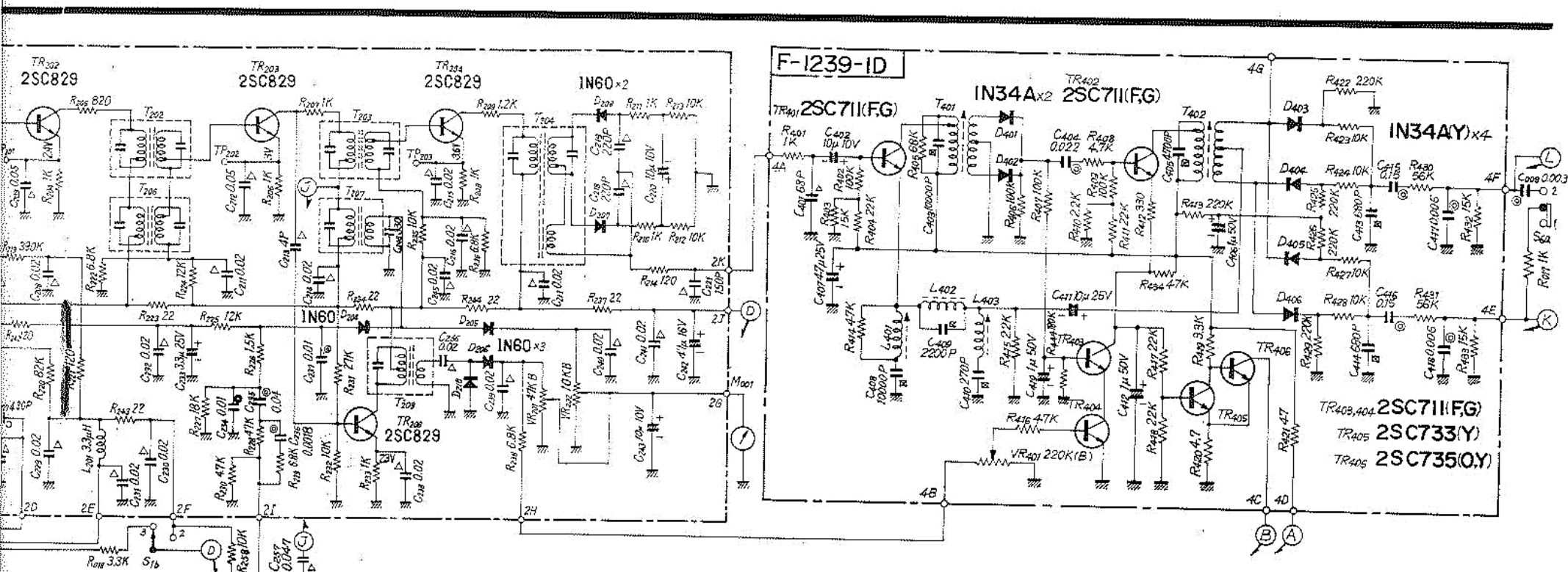
STEP	ALIGN	GENERATOR	FEED SIGNAL	OUTPUT INDICATOR	DIAL SETTING	ADJUST	ADJUST FOR
1.	I.F. Transformer	455 kHz ±30 kHz Sweep-generator	2A	Oscilloscope and V.T.V.M. is connected to TP ₂₀₄		Primary and secondary sides from the 1st I.F.T.(T ₂₀₅ ~T ₂₀₇)	Best I.F. wave form
2.	O.S.C.	AM-generator 600 kHz 400 Hz 30% Modulation	Antenna terminals	Oscilloscope and V.T.V.M. at output load	600kHz	O.S.C. Coil T ₂₀₈	Maximum
3.	O.S.C.	AM-generator 1400 kHz 400 Hz 30% Modulation	Antenna terminals	Oscilloscope and V.T.V.M. at output load	1400kHz	O.S.C. Trimmer cap. TC ₁₀₅	Maximum
4.	Repeat 2 and 3						
5.	Antenna circuit	AM-generator 600 kHz 400 Hz 30% Modulation	Antenna terminals	Oscilloscope and V.T.V.M. at output load	600kHz	Ferrite bar Antenna coil L ₀₀₂	Maximum
6.	Antenna circuit	AM-generator 1400 kHz 400 Hz 30% Modulation	Antenna terminals	Oscilloscope and V.T.V.M. at output load	1400kHz	Antenna circuit Trimmer TC ₁₀₄	Maximum
7.	Repeat 5 and 6						

AM IF CHARACTERISTIC

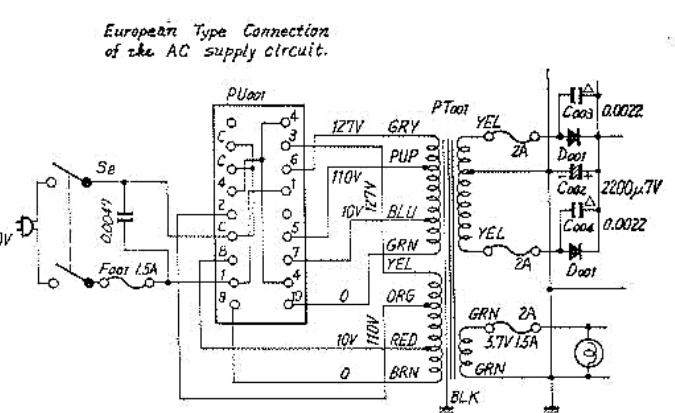
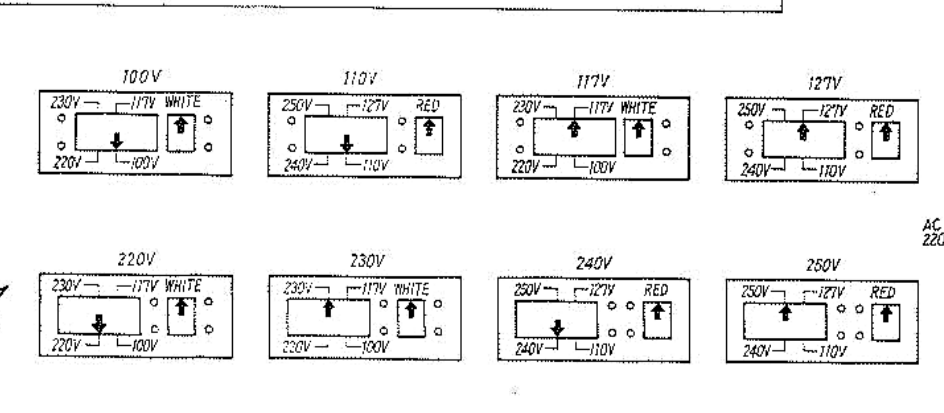
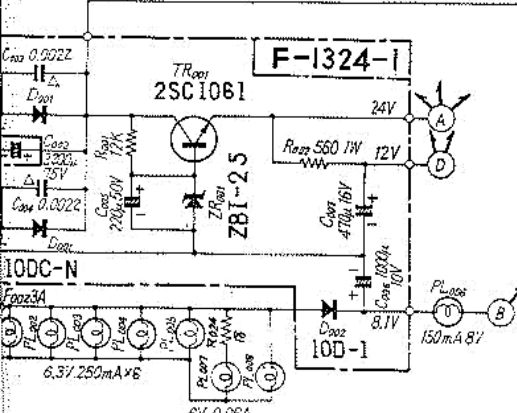


SCHEMATIC DIAGRAM





- S₁(a-t) SELECTOR
 - 1 PHONO
 - 2 FM AUTO
 - 3 AM
 - 4 AUX
 - S₂(a-b) ANT. SWITCH
 - 1 DIST
 - 2 LOC
 - S₃(a-b) TAPE MONITOR
 - 1 SOURCE
 - 2 PLAY BACK
 - S₄(a-b) LOUDNESS
 - 1 OFF
 - 2 ON
 - S₅(a-b) MODE
 - 1 STEREO
 - 2 MONO L+R
 - S₆(a-b) MPX NOISE CANCELER
 - 1 OFF
 - 2 ON
 - S₇(a-b) SPEAKER
 - 1 A SYSTEM
 - 2 A+B SYSTEM
 - S₈ POWER SWITCH
 - 1 ON
- SYMBOL
- OIL
 - △ CERAMIC
 - ⊙ MYLAR
 - TANTALUM
 - MICA
 - STYROL
 - * WIRED-IN FUSE



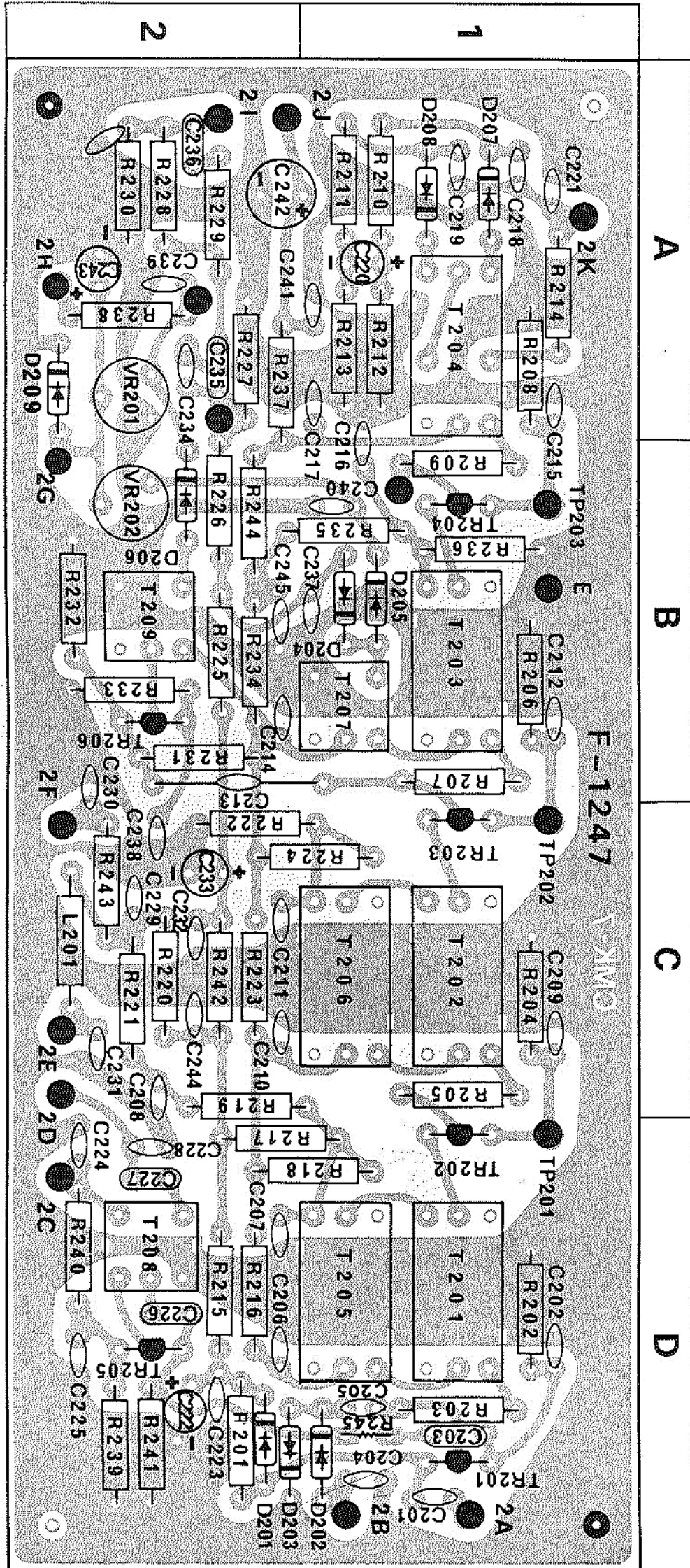
PRINTED CIRCUIT BOARDS AND PARTS LIST

X: Parts No. Y: Parts Name Z: Position of Parts

AM, FM IF BLOCK <F-1247-1B>

X	Y	Z	X	Y	Z
R201	12kΩ	(0101123) 2 D	C214	0.02μF	2 B
R202	1kΩ	(0101102) 1 D	C215	0.02μF	1 A
R203	680Ω	(0101681) 1 D	C216	0.02μF	1 A, B
R204	1kΩ	(0101102) 1 C	C217	0.02μF	1 A
R205	820Ω	(0101821) 1 C	C218	220pF	1 A
R206	1kΩ	(0101102) 1 B	C219	220pF	1 A
R207	1kΩ	(0101102) 1 B	C220	10μF	10V EL. (0511100) 1 A
R208	1kΩ	(0101102) 1 A	C221	150pF	±20% 50V CE. (0652151) 1 A
R209	1.2kΩ	(0101122) 1 B	C222	1μF	50V EL. (0515109) 2 D
R210	1kΩ	(0101102) 1 A	C223	0.05μF	(0659007) 2 D
R211	1kΩ	(0101102) 1 A	C224	0.02μF	+80% 25V CE. (0659005) 2 D
R212	10kΩ	(0101103) 1 A	C225	0.05μF	(0659007) 2 D
R213	10kΩ	(0101103) 1 A	C226	0.01μF	±10% 50V MY. (0601106) 2 D
R214	120Ω	(0101121) 1 A	C227	470pF	±5% 50V ST. (0623471) 2 D
R215	8.2kΩ	(0101822) 2 D	C228	15pF	±10% 50V CE. (0652150) 2 D
R216	22Ω	(0101220) 2 D	C229	0.02μF	2 C
R217	6.8kΩ	(0101682) 1, 2 D	C230	0.02μF	+80% 25V CE. (0659005) 2 B, C
R218	82kΩ	(0101823) 1, 2 D	C231	0.02μF	-20% 25V CE. (0659005) 2 C
R219	390kΩ	(0101394) 1, 2 C	C232	0.02μF	2 C
R220	82kΩ	(0101823) 2 C	C233	3.3μF	50V EL. (0513339) 2 C
R221	120Ω	(0101121) 2 C	C234	0.01μF	(0601106) 2 A
R222	6.8kΩ	(0101682) 1, 2 C	C235	0.04μF	(0601406) 2 A
R223	22Ω	±10% 1/4W CB. (0101220) 2 C	C236	0.0018μF	±10% 50V MY. (0601186) 2 A
R224	12kΩ	(0101123) 1, 2 C	C237	0.01μF	(0601106) 1 B
R225	12kΩ	(0101123) 2 B	C238	0.02μF	2 C
R226	1.5kΩ	(0101152) 2 B	C239	0.02μF	+80% 25V CE. (0659005) 2 A
R227	18kΩ	(0101183) 2 A	C240	0.02μF	-20% 25V CE. (0659005) 1 B
R228	47kΩ	(0101473) 2 A	C241	0.02μF	1 A
R229	6.8kΩ	(0101682) 2 A	C242	47μF	16V EL. (0512470) 1, 2 A
R230	4.7kΩ	(0101472) 2 A	C243	10μF	10V EL. (0511100) 2 A
R231	27kΩ	(0101273) 2 B	C244	0.02μF	+80% 25V CE. (0659005) 2 C
R232	10kΩ	(0101103) 2 B	C245	0.02μF	-20% 25V CE. (0659005) 2 B
R233	1kΩ	(0101102) 2 B	C246	330pF	±20% 50V CE. (0652331)
R234	22Ω	(0101220) 2 B	C256	0.02μF	+80% 25V CE. (0659005) 2 B
R235	10kΩ	(0101103) 1, 2 B	TR201	2SC829 (B, C)	1 D
R236	6.8kΩ	(0101682) 1 B	TR202	2SC829 (B, C)	1 D
R237	22Ω	(0101220) 2 A	TR203	2SC829 (B, C)	1 C
R238	6.8kΩ	(0101682) 2 A	TR204	2SC829 (B, C)	1 B
R239	4.7kΩ	(0101472) 2 D	TR205	2SC829 (B, C)	2 D
R240	39kΩ	(0101393) 2 D	TR206	2SC829 (B, C)	2 B
R241	1kΩ	(0101102) 2 D	D201	IN60	2 D
R242	120Ω	(0101121) 2 C	D202	IN60	1 D
R243	22Ω	(0101220) 2 C	D203	IN60	2 D
R244	22Ω	(0101220) 2 B	D204	IN60	1 B
R245	10Ω	(0101100) 1 D	D205	IN60	(0310330) 1 B
VR201	47kΩ (B)	(1035260) 2 A	D206	IN60	2 B
VR202	10kΩ (B)	(1035220) 2 B	D207	IN60	1 A
C201	0.02μF	+80% 25V CE. (0659005) 1 D	D208	IN60	1 A
C202	0.01μF	±20% 50V CE. (0652103) 1 D	D218	IN60	2 B
C203	0.01μF	±10% 50V MY. (0601107) 1 D	T201	FM IFT	(4235610) 1 D
C204	0.02μF	+80% 25V CE. (0659005) 1 D	T202	FM IFT	10.7MHz (4235610) 1 C
C205	1.5pF	±20% 50V CE. (0652159) 1 D	T203	FM IFT	(4235600) 1 B
C206	0.02μF	(0659005) 2 D	T204	FM Detector	10.7MHz (4235620) 1 A
C207	0.02μF	(0659005) 2 D	T205	AM IFT	(4230370) 1 D
C208	0.02μF	(0650005) 2 C	T206	AM IFT	455kHz (4230370) 1 C
C209	0.05μF	+80% 25V CE. (0659007) 1 C	T207	AM IFT	(4230380) 1 B
C210	0.02μF	(0659005) 2 C	T208	AM OSC	(4220190) 2 D
C211	0.02μF	(0659005) 2 C	T209	FM Meter Transformer	(4235400) 2 B
C212	0.05μF	(0659007) 1 B	L201	3.5μH RF Choke Coil	(4290010) 2 C
C213	4pF	±10% 50V CE. (0660409) 1, 2 B			

- | | |
|------------------------------------|--------------------------------|
| CB : Carbon Resistor | MC : Mica capacitor |
| SL : Solid Resistor | O : Oil capacitor |
| CM : Cement Resistor | ST : Styrol Capacitor |
| MY : Mylar Capacitor | CE : Ceramic Capacitor |
| EL : Electrolytic Capacitor | TA : Tantalum Capacitor |



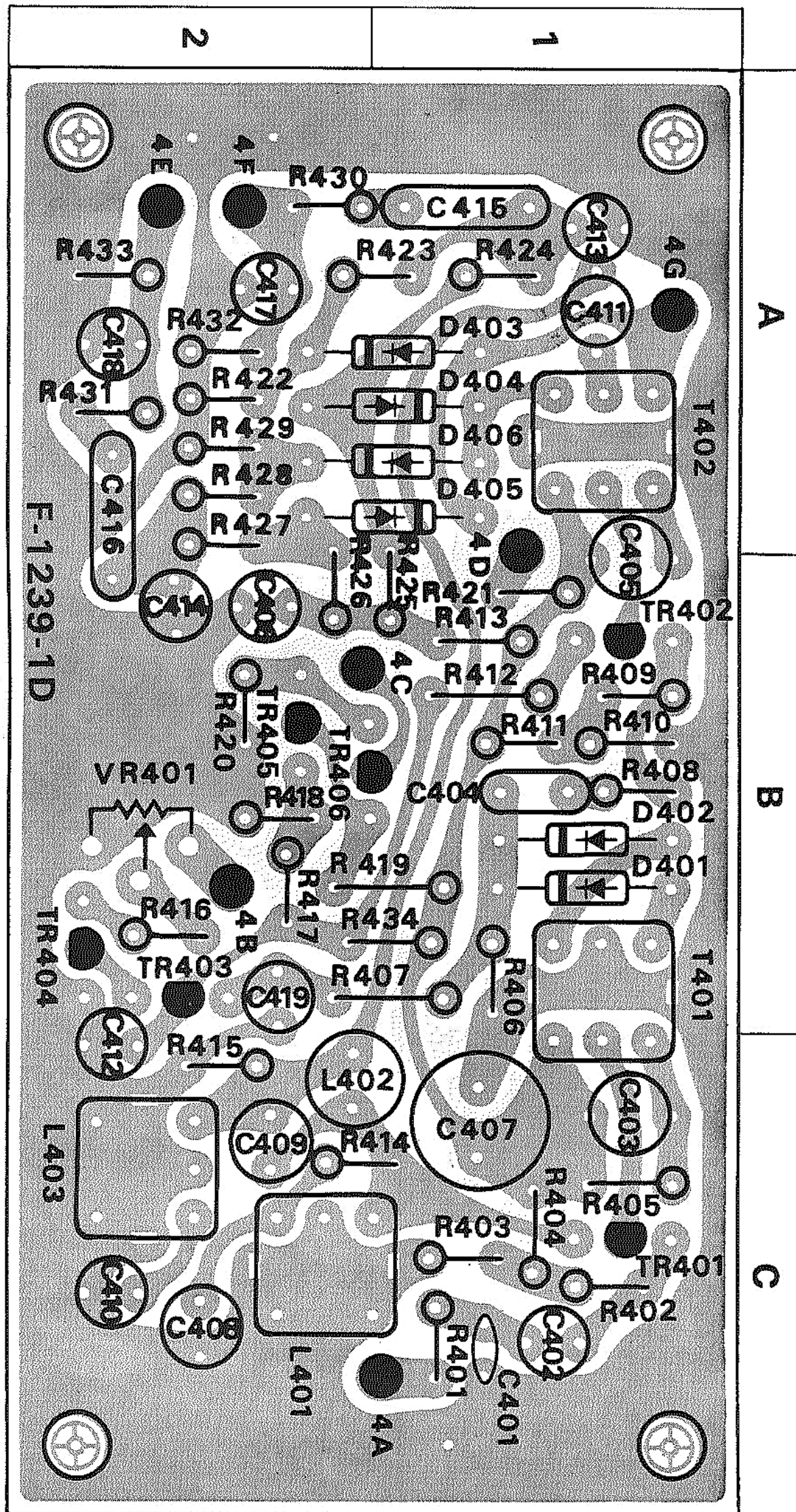
PRINTED CIRCUIT BOARDS AND PARTS LIST

X: Parts No. Y: Parts Name Z: Position of Parts

FM MPX. BLOCK <F-1239-1D>

X	Y	Z
R401	1kΩ	(0100102) 1 C
R402	100kΩ	(0100104) 1 C
R403	15kΩ	(0100153) 1 C
R404	22kΩ	(0100223) 1 C
R405	68kΩ	(0100683) 1 C
R406	100kΩ	(0100104) 1 B
R407	100kΩ	(0100104) 1, 2 B
R408	4.7kΩ	(0100472) 1 B
R409	100kΩ	(0100104) 1 B
R410	2.2kΩ	(0100222) 1 B
R411	22kΩ	(0100223) 1 B
R412	330Ω	(0100331) 1 B
R413	220kΩ	(0100224) 1 B
R414	47kΩ	(0100473) 1, 2 C
R415	2.2kΩ	(0100222) 2 C
R416	47kΩ	(0100473) 2 B
R417	22kΩ	(0100223) 2 B
R418	22kΩ	(0100223) 2 B
R419	3.3kΩ	(0100332) 1, 2 B
R420	4.7Ω	(0100479) 2 B
R421	47Ω	(0100470) 1 B
R422	220kΩ	(0100224) 2 A
R423	10kΩ	(0100103) 1, 2 A
R424	10kΩ	(0100103) 1 A
R425	220kΩ	(0100224) 1 B
R426	220kΩ	(0100224) 2 B
R427	10kΩ	(0100103) 2 A
R428	10kΩ	(0100103) 2 A
R429	220kΩ	(0100224) 2 A
R430	56kΩ	(0100563) 2 A
R431	56kΩ	(0100563) 2 A
R432	15kΩ	(0100153) 2 A
R433	15kΩ	(0100153) 2 A
R434	47kΩ	(0100473) 1, 2 B
R444	180kΩ	(0100184) 2 B
VR401	200kΩ(B) Stereo Indicator Adj. (1032150)	2 B
C401	68 pF ±10% 50 V CE.	(0660680) 1 C
C402	10 μF 10 V EL.	(0511100) 1 C
C403	10000 pF ±5% 50 V ST.	(0620103) 1 C
C404	0.022 μF ±10% 50 V MY.	(0601227) 1 B
C405	4700 pF ±5% 50 V ST.	(0620472) 1 A, B
C406	1 μF 50 V EL.	(0515109) 2 B
C407	47 μF 25 V EL.	(0513470) 1 C
C408	10000 pF	(0620103) 2 C
C409	2200 pF ±5% 50 V ST.	(0620222) 2 C
C410	270 pF	(0620271) 2 C
C411	10 μF 25 V EL.	(0513100) 1 A
C412	1 μF 50 V EL.	(0515109) 2 C
C413	680 pF	(0620681) 1 A
C414	680 pF ±5% 50 V ST.	(0620681) 2 B
C415	0.15 μF	(0601158) 1 A
C416	0.15 μF ±10% 50 V MY.	(0601158) 2 A
C417	0.006 μF	(0600406) 2 A
C418	0.006 μF ±5% 50 V MY.	(0600406) 2 A
C419	1 μF 50 V EL.	(0515109) 2 A

X	Y	Z
TR401	2SC711 (F,G)	1 C
TR402	2SC711 (F,G)	1 B
TR403	2SC711 (F,G)	2 B
TR404	2SC711 (F,G)	2 B
TR405	2SC733 (Y)	2 B
TR406	2SC735 (O,Y)	1, 2 B
D401	IN34A	1 B
D402	IN34A	1 B
D403	IN34A (Y)	1 A
D404	IN34A (Y)	1 A
D405	IN34A (Y)	1 A
D406	IN34A (Y)	1 A
T401	19kHz Coil	1 B
T402	38kHz Coil	1 A
L401	19kHz Coil	2 C
L402	Micro Inductor	1, 2 C
L403	67kHz Coil	2 C

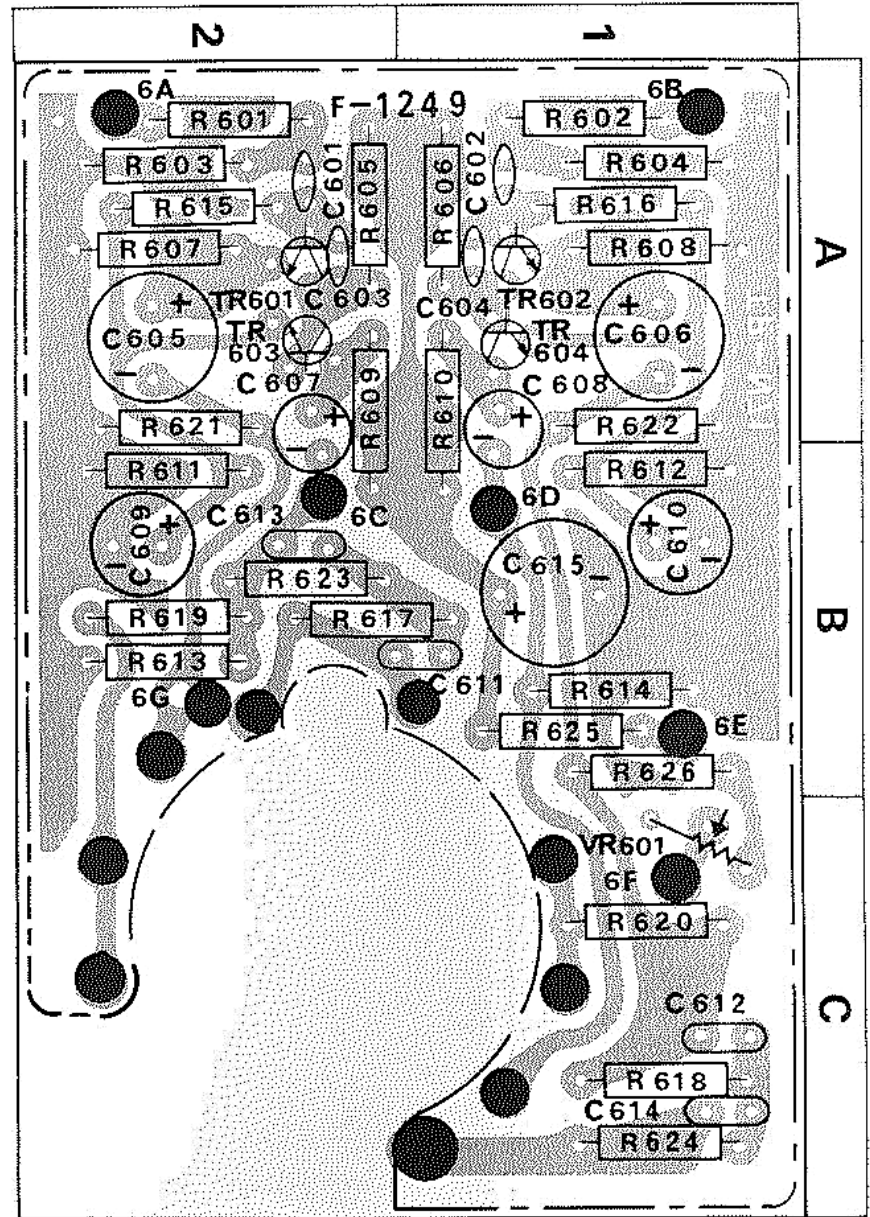


PRINTED CIRCUIT BOARDS AND PARTS LIST

X: Parts No. Y: Parts Name Z: Position of Parts

HEAD AMP. BLOCK <F-1249>

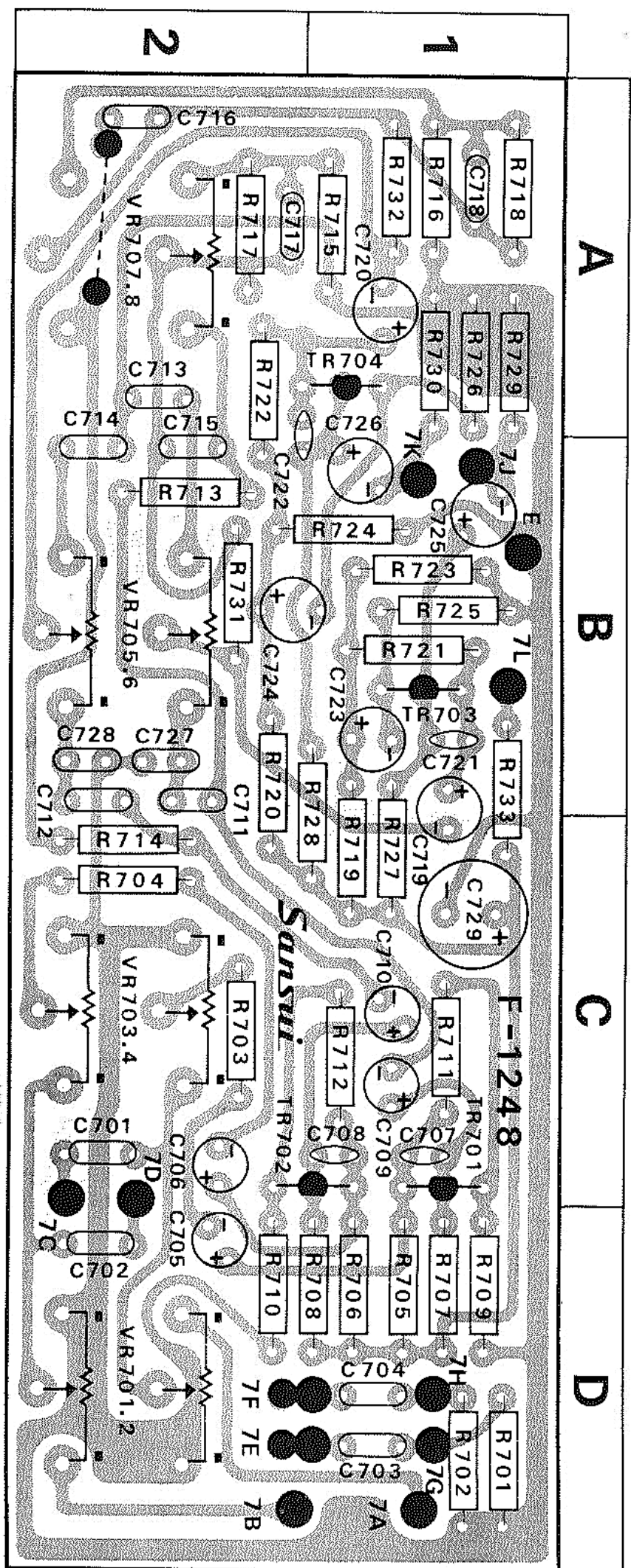
X	Y	Z
R601	1kΩ	(0101102) 2A
R602	1kΩ	(0101102) 1A
R603	680kΩ	(0101684) 2A
R604	680kΩ	(0101684) 1A
R605	220kΩ	(0101224) 2A
R606	220kΩ	(0101224) 1A
R607	2.2kΩ	(0101222) 2A
R608	2.2kΩ	(0101222) 1A
R609	5.6kΩ	(0101562) 2A, B
R610	5.6kΩ	(0101562) 1A, B
R611	680Ω	(0101681) 2B
R612	680Ω	(0101681) 1B
R613	82kΩ	±10% ¼W CB. (0101823) 2B
R614	82kΩ	(0101823) 1B
R615	820kΩ	(0101824) 2A
R616	820kΩ	(0101824) 1A
R617	820kΩ	(0101824) 1, 2B
R618	820kΩ	(0101824) 1C
R619	8.2kΩ	(0101822) 2B
R620	8.2kΩ	(0101822) 1C
R621	470Ω	(0101471) 2A
R622	470Ω	(0101471) 1A
R623	22kΩ	(0101223) 2B
R624	22kΩ	(0101223) 1C
R625	220Ω	(0101221) 1B
R626	220Ω	(0101221) 1B
VR601	5kΩ (B) Separation Adj.	(1030370) 1C
C601	1μF	+40% 25V TA. (0573109) 2A
C602	1μF	-20% 25V TA. (0573109) 1A
C603	100pF	±10% 50V CE. (0660101) 2A
C604	100pF	±10% 50V CE. (0660101) 1A
C605	220μF	6.3V (0510221) 2A
C606	220μF	6.3V (0510221) 1A
C607	3.3μF	25V EL. (0513339) 2A, B
C608	3.3μF	25V EL. (0513339) 1A, B
C609	47μF	6.3V (0510470) 2B
C610	47μF	6.3V (0510470) 1B
C611	0.01μF	(0601107) 1, 2B
C612	0.01μF	(0601107) 1C
C613	0.0033μF	±10% 50V MY. (0601336) 2B
C614	0.0033μF	(0601336) 1C
C615	220μF	25V EL. (0513221) 1B
C625	0.015μF	±10% 50V MY. (0601157) 1C
TR601	2SC871R (E, F)	(0305474, 5) 2A
TR602	2SC871R (E, F)	(0305474, 5) 1A
TR603	2SC871 (E, F)	(0305471, 2) 2A
TR604	2SC871 (E, F)	(0305471, 2) 1A



TONE CONTROL BLOCK <F-1248>

X	Y	Z
R701	33kΩ	(0101333) 1D
R702	33kΩ	(0101333) 1D
R703	1kΩ	(0101102) 2C
R704	1kΩ	(0101102) 2C
R705	1MΩ	(0101106) 1D
R706	1MΩ	(0101106) 1D
R707	4.7kΩ	(0101472) 1D
R708	4.7kΩ	±10% ¼W CB. (0101472) 1D
R709	470Ω	(0101471) 1D
R710	470Ω	(0101471) 2D
R711	82kΩ	(0101823) 1C
R712	82kΩ	(0101823) 1C
R713	18kΩ	(0101183) 2B
R714	18kΩ	(0101183) 2C
R715	3.3kΩ	(0101332) 1A
R716	3.3kΩ	(0101332) 1A

X	Y	Z
R717	22kΩ	(0101223) 2A
R718	22kΩ	(0101223) 1A
R719	100kΩ	(0101104) 1B, C
R720	100kΩ	(0101104) 2B, C
R721	82kΩ	(0101823) 1B
R722	82kΩ	(0101823) 2A, B
R723	22kΩ	(0101223) 1B
R724	22kΩ	(0101223) 1, 2B
R725	470Ω	(0101471) 1B
R726	470Ω	(0101471) 1A
R727	2.2kΩ	(0101222) 1B, C
R728	2.2kΩ	(0101222) 1B, C
R729	100kΩ	(0101104) 1A
R730	100kΩ	(0101104) 1A
R731	12kΩ	(0101123) 2B
R732	12kΩ	(0101123) 1A
R733	220Ω	(0101221) 1B, C
VR701,702	125kΩ (MN)	(1010220) 2D
VR703,704	250kΩ (B) × 2	(1010200) 2C
VR705,706	100kΩ (A) × 2	(1010230) 2B
VR707,708	100kΩ (A) × 2	2A
C701	150pF	(0641151) 2C
C702	150pF	2D
C703	0.01μF	(0601107) 1D
C704	0.01μF	1D
C705	1μF	(0515109) 2D
C706	1μF	2C
C707	22pF	(0660220) 1C
C708	22pF	1C
C709	3.3μF	(0513339) 1C
C710	3.3μF	1C
C711	0.001μF	(0601106) 2B
C712	0.001μF	(0601106) 2B
C713	0.01μF	(0601107) 2A
C714	0.01μF	(0601107) 2B
C715	0.015μF	(0601157) 2B
C716	0.015μF	(0601157) 2A
C717	0.1μF	(0601108) 2A
C718	0.1μF	(0601108) 1A
C719	1μF	(0515109) 1B, C
C720	1μF	1A
C721	22pF	(0660220) 1B
C722	22pF	(0660220) 1A, B
C723	10μF	(0511100) 1B
C724	10μF	(0511100) 1, 2B
C725	1μF	(0515109) 1B
C726	1μF	(0515109) 1B
C727	330pF	(0641331) 2B
C728	330pF	(0641331) 2B
C729	47μF	(0513470) 1C
TR701	2SC458LG (B, C)	(0305313, 4) 1C
TR702	2SC458LG (B, C)	1, 2C
TR703	2SC458LG (B, C)	1B
TR704	2SC458LG (B, C)	1A



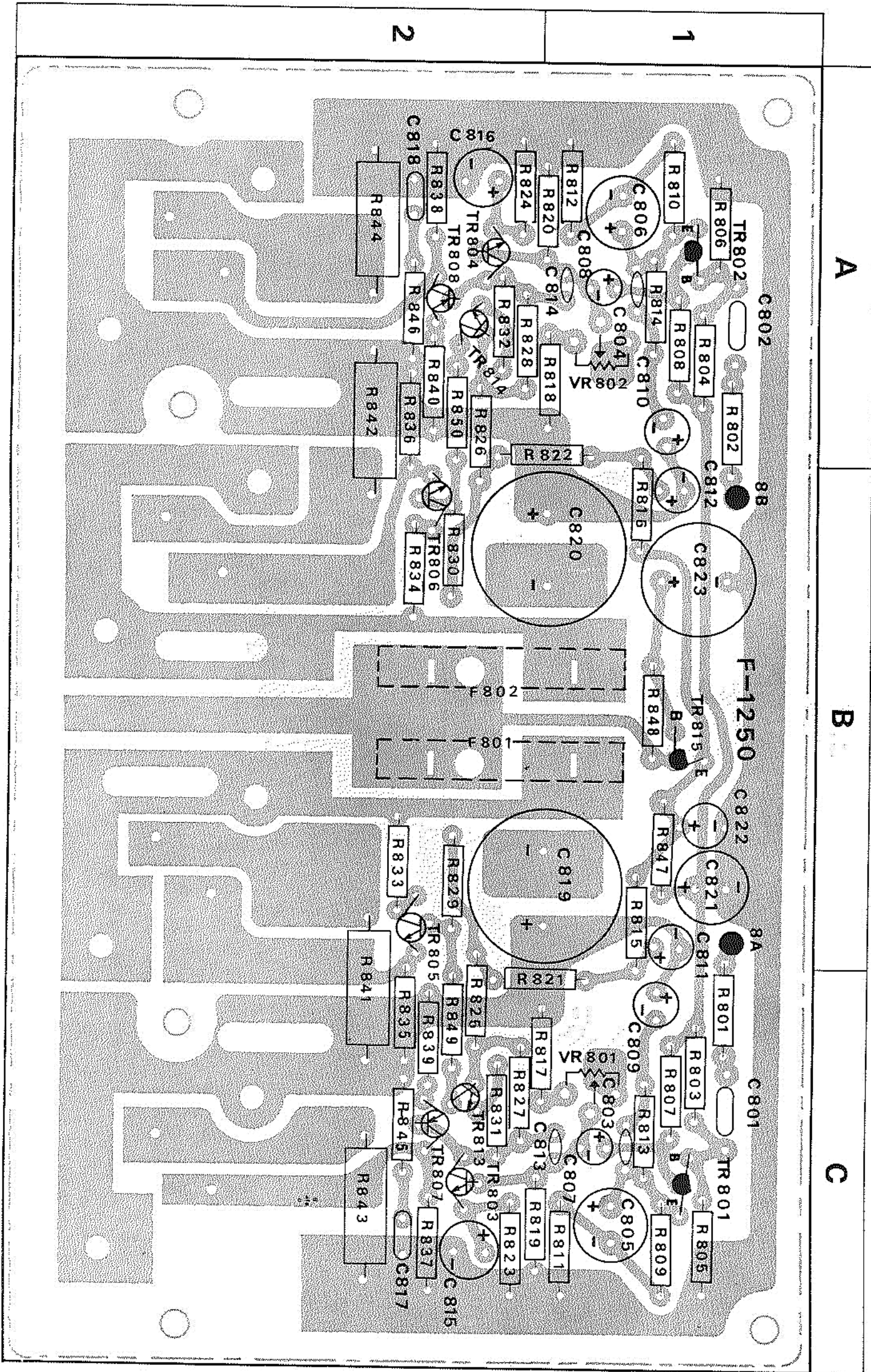
PRINTED CIRCUIT BOARDS AND PARTS LIST

X: Parts No. Y: Parts Name Z: Position of Parts

DRIVER BLOCK <F-1250>

X	Y	Z
R801	1kΩ	(0101102) 1 B, C
R802	1kΩ	(0101102) 1 A, B
R803	470kΩ	(0101474) 1 C
R804	470kΩ	(0101474) 1 A
R805	220kΩ	(0101224) 1 C
R806	220kΩ	(0101224) 1 A
R807	3.3kΩ	(0101332) 1 C
R808	3.3kΩ	(0101332) 1 A
R809	3.3kΩ	(0101332) 1 C
R810	3.3kΩ	(0101332) 1 A
R811	680Ω	(0101681) 1 C
R812	680Ω	(0101681) 1 A
R813	18kΩ	(0101183) 1 C
R814	18kΩ	(0101183) 1 A
R815	1.8kΩ	(0101182) 1 B, C
R816	1.8kΩ	(0101182) 1 A, B
R817	10kΩ	(0101103) 1 C
R818	10kΩ	(0101103) 1 A
R819	15kΩ	(0101153) 1 C
R820	15kΩ	(0101153) 1 A
R821	3.3kΩ ±10% ¼W CB.	(0101332) 1, 2 C
R822	3.3kΩ	(0101332) 1, 2 A
R823	330Ω	(0101331) 2 C
R824	330Ω	(0101331) 2 A
R825	2.2kΩ	(0101222) 2 B, C
R826	2.2kΩ	(0101222) 2 A, B
R827	1.2kΩ	(0101122) 2 C
R828	1.2kΩ	(0101122) 2 A
R829	150Ω	(0101151) 2 B
R830	150Ω	(0101151) 2 B
R831	39Ω	(0101390) 2 C
R832	39Ω	(0101390) 2 A
R833	4.7Ω	(0101479) 2 B
R834	4.7Ω	(0101479) 2 B
R835	220Ω	(0101221) 2 C
R836	220Ω	(0101221) 2 A, B
R837	220Ω	(0101221) 2 C
R838	220Ω	(0101221) 2 A
R839	4.7Ω	(0101479) 2 C
R840	4.7Ω	(0101479) 2 A
R841	0.47Ω	2 B, C
R842	0.47Ω	2 A, B
R843	0.47Ω ±10% 2W CM.	(0132478) 2 C
R844	0.47Ω	2 A
R845	6.8Ω	2 C
R846	6.8Ω ±10% ½W SL.	(0111689) 2 A
R847	4.7kΩ	(0101472) 1 B
R848	4.7kΩ	(0101472) 1 B
R849	4.7Ω ±10% ¼W CB.	(0101479) 2 C
R850	4.7Ω	(0101479) 2 A
VR801	200kΩ (B) AC Balance Adj.	(1030350) 1 C
VR802	200kΩ (B) AC Balance Adj.	(1030350) 1 A
C801	0.22μF ±10% 50V MY.	(0601228) 1 C
C802	0.22μF	1 A

X	Y	Z
C805	220μF	6.3V EL. (0510221) 1 C
C806	220μF	1 A
C807	1μF	(0515109) 1 C
C808	1μF	(0515109) 1 A
C809	4.7μF	50V EL. (0515479) 1 C
C810	4.7μF	(0515479) 1 A
C811	3.3μF	(0515339) 1 B
C812	3.3μF	(0515339) 1 B
C813	68pF	±10% 50V CE. (0660680) 1 C
C814	68pF	1 A
C815	100μF	6.3V EL. (0510101) 2 C
C816	100μF	2 A
C817	0.047μF	±10% 50V MY. (0601477) 2 C
C818	0.047μF	2 A
C819	1000μF	35V EL. (0549004) 1, 2 B
C820	1000μF	1, 2 B
C821	47μF	(0515470) 1 B
C822	3.3μF	50V EL. (0515339) 1 B
C823	220μF	(0515221) 1 B
C825	47pF	±10% 50V CE. (0660470)
C826	47pF	
TR801	2SC458LG (B, C)	(0315313, 4) 1 C
TR802	2SC458LG (B, C)	1 A
TR803	2SC875(E)	2 C
TR804	2SC875(E)	(0305981) 2 A
TR805	2SC875(E)	2 B
TR806	2SC875(E)	2 B
TR807	2SA532(E)	(0300371) 2 C
TR808	2SA532(E)	2 A
TR809	2SC1030 (B, C)	
TR810	2SC1030 (B, C)	(0305631, 2)
TR811	2SC1030 (B, C)	
TR812	2SC1030 (B, C)	
TR813	2SC281 (C)	(0305122) 2 C
TR814	2SC281 (C)	2 A
TR815	2SC815 (L, K)	(0305431, 2) 1 B
F801	2.5A Quick-Acting Fuse	(0433240) 2 B
F802		2 B



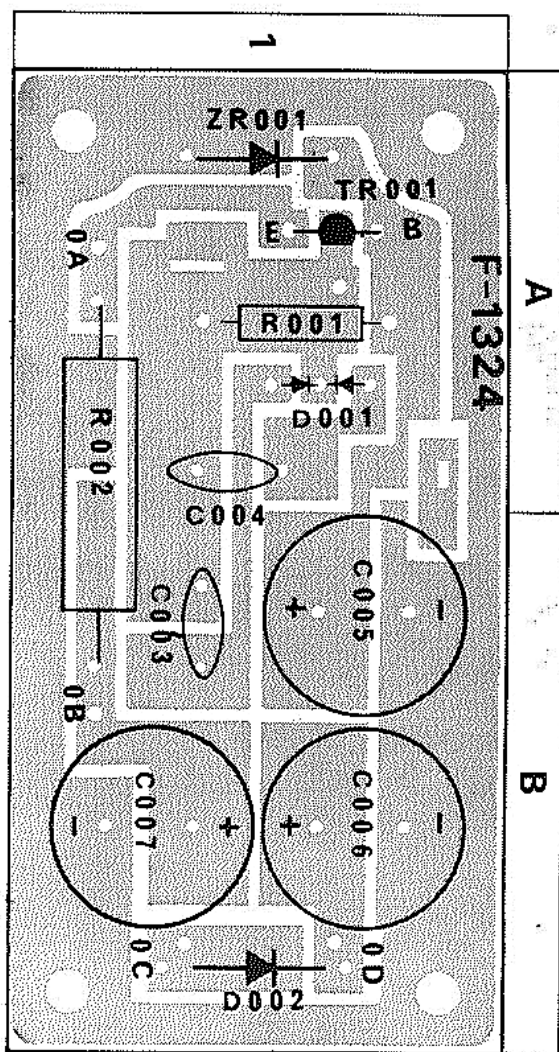
1

PRINTED CIRCUIT BOARDS AND PARTS LIST

X: Parts No. Y: Parts Name Z: Position of Parts

POWER BLOCK <F-1324-1>

X	Y	Z	
R001	12k Ω $\pm 10\%$ 1/2W SL. (0111123)	1 A	
R002	560 Ω $\pm 10\%$ 1W CB. (0104561)	1 A, B	
C003	0.0022 μ F } $\pm 20\%$ 500V CE. (0653223)	1 B	
C004		1 A	
C005	220 μ F } 50V } (0515221)	1 B	
C006		1000 μ F } 10V } EL. (0511102)	1 B
C007			16V } (0512471)
TR001	2SC1061 (A, B, C) (0305770, 1, 2)	1 A	
D001	10DC (N) (0310680)	1 A	
D002	10D-1 (0310340)	1 B	
ZR001	ZBI-25 (0310710)	1 A	

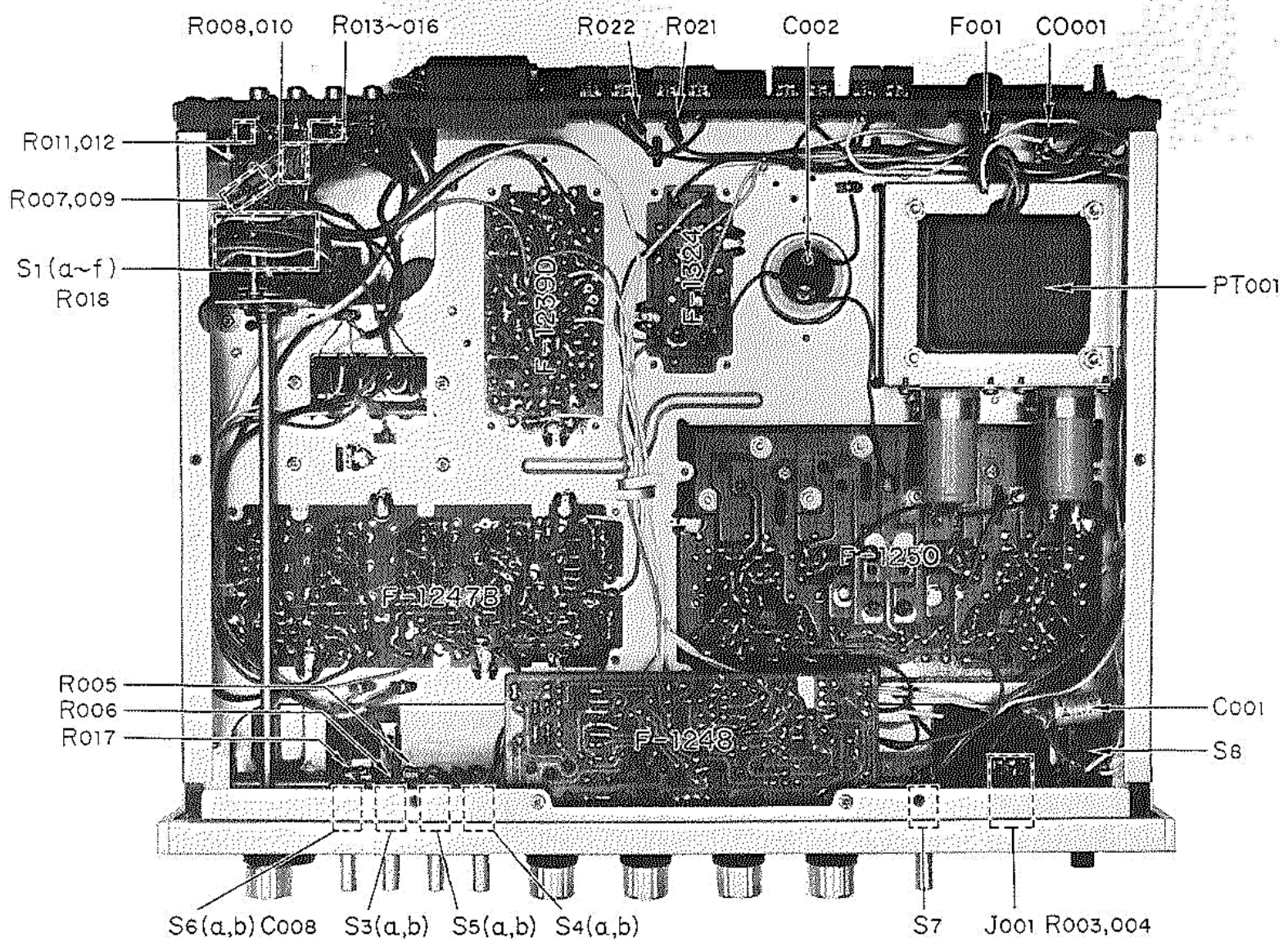
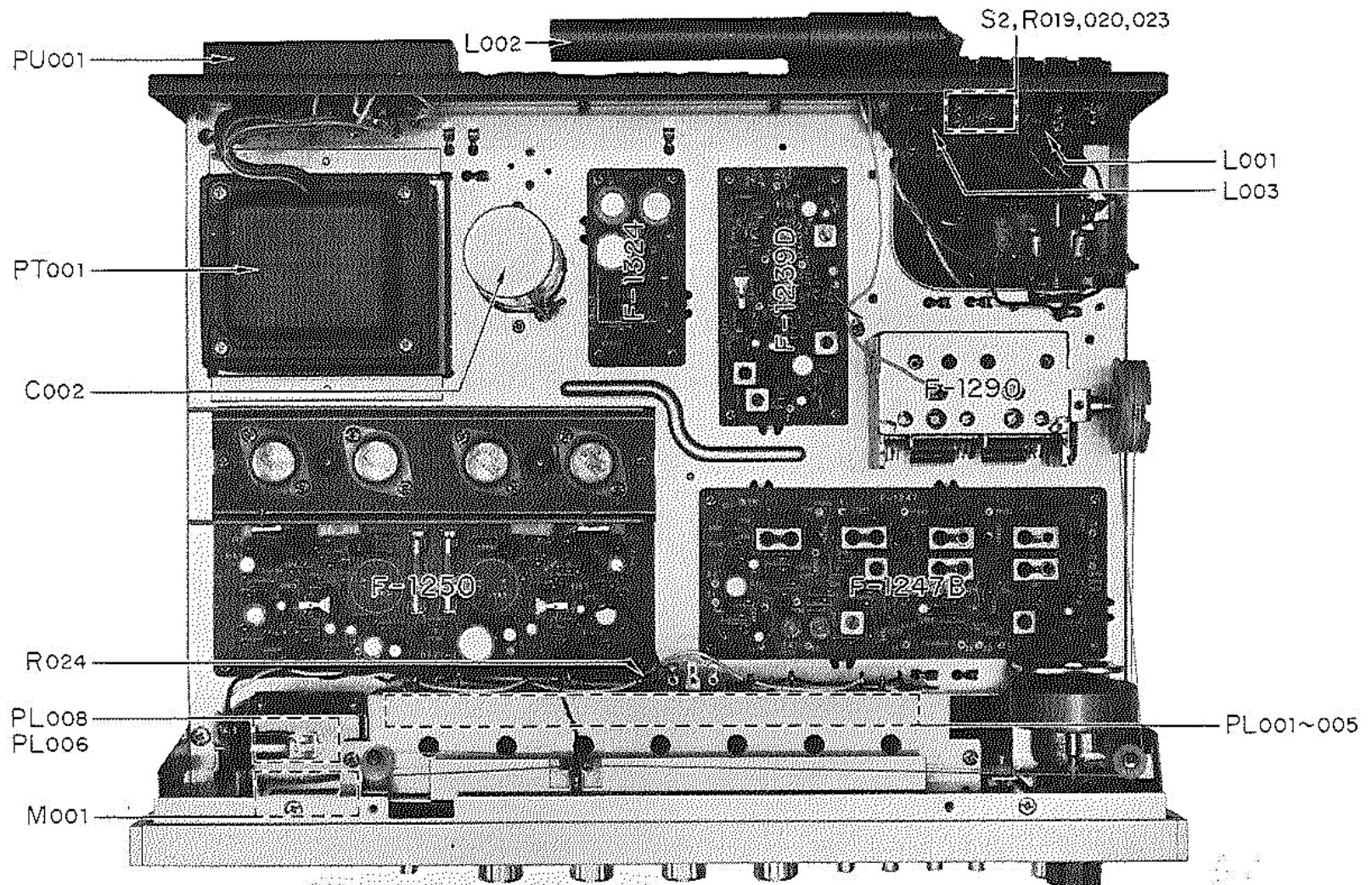


OTHER PARTS

X	Y	Z
R003	330 Ω } $\pm 10\%$ 1/2W SL. (0111331)	
R004		
R005	8.2k Ω (0101822)	
R006	8.2k Ω (0101822)	
R007	100k Ω (0101104)	
R008	100k Ω (0101104)	
R009	4.7k Ω (0101472)	
R010	4.7k Ω (0101472)	
R011	68k Ω (0101683)	
R012	68k Ω (0101683)	
R013	390k Ω } $\pm 10\%$ 1/4W CB. (0101394)	
R014		
R015	100k Ω (0101104)	
R016	100k Ω (0101104)	
R017	1k Ω (0101102)	
R018	3.3k Ω (0101332)	
R019	680 Ω (0101681)	
R020	68 Ω (0101680)	
R021	680 Ω (0111681)	
R022	680 Ω $\pm 10\%$ 1/2W SL. (0111681)	
R023	1.5k Ω (0101152)	
R024	18 Ω $\pm 10\%$ 1/4W CB. (0101180)	
R255	820 Ω (0101821)	
R256	33 Ω (0101330)	
R257	820 Ω $\pm 10\%$ 1/4W CB. (0101821)	
R258	10k Ω (0101103)	
R444	180k Ω (0101184)	
C001	0.022 μ F $\pm 20\%$ 250V MY. (0605227)	
C002	2200 μ F 80V EL. (0559821)	
C008	0.003 μ F $\pm 10\%$ 50V MY. (0601306)	
C256	0.02 μ F (0659005)	
C257	0.047 μ F } $\pm 20\%$ 25V CE. (0659005)	
C258		
C625	0.015 μ F $\pm 10\%$ 50V MY. (0601157)	
D218	IN 60 (0310330)	
TR207	2SC 711(E, F) (0305731, 2)	
S1(a~f)	Selector Switch Y-3-7-4 (1103280)	
S2	Antenna Att. Switch (1110040)	
S3(a, b)	Tape Monitor Switch	
S4(a, b)	Loudness Switch	
S5(a, b)	Mode Switch	(1170170)
S6(a, b)	MPX Noise Canceler Switch	
S7(a, b)	Speaker Selector Switch (1170180)	
S8	Power Switch (1130160)	
J001	Headphones Jack (2430060)	
M001	Tuning Meter (4300200)	
PT001	Power Transformer 400-5407 (4000730)	
PU001	Voltage Selector (2410170~2410190)	
F001	2A Fuse (100~127V) (0430030)	
	1.5A Fuse (220~250V) (0430120)	
	Power Fuse Holder (2300060)	
F002	3A Wired in Fuse (0431850)	
CO001	AC Outlet (2450010)	
PL001~005	6.3V 0.25A Pilot Lamp (0420020)	
PL006	8V 0.15A Stereo Indicator (0400120)	
PL007	5V 0.06A Needle Indicator (0400101)	
PL008	6.3V 0.25A Pilot Lamp (0400090)	
L001	75 Ω : 300 Ω High Frequency Transformer (4290021)	
L002	AM Bar Antenna (4200350)	
L003	150 μ H Ferri Inductor (4900080)	
L212	3.5 μ H Choke Coil (4290010)	
CF201	10.7MHz Ceramic Filter (0910100)	

* Design and specification subject to change without notice for improvements.

OTHER PARTS AND THEIR POSITION ON CHASSIS





SANSUI ELECTRIC CO., LTD.

14-1, 2-chome, Izumi, Suginamiku, Tokyo 168, Japan.

TELEPHONE: (03) 323-1111/TELEX: 232-2076

Stock No. 9216620

Printed in Japan (33120M4)